

## 2/2-way ball valve with electric rotary actuator, ball valve in stainless steel, DN 10-65



- Suitable for aggressive media
- High flow rate valve
- Actuator with adjustable limit switches
- Visual position indicator
- Multivoltage

The electric ball valve Type 8804 consists of an electrical rotary actuator and a 2/2 or 3/2-way ball valve made of stainless steel. 2-way variants are available with a 2-piece or 3-piece ball valve for various applications. The 3-way version is offered with L or T bore holes (on request). The rotary actuator is compactly built. It can be used also as single device for the operation of other control elements (see datasheet Type 3003).

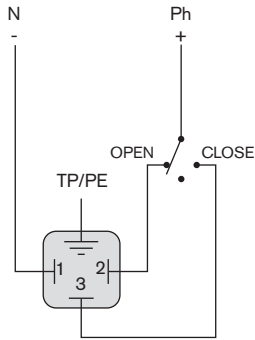
Heat resistor and torque limiter are standard. The body is made of low inflammable material, classified acc. to UL 94 V0.

Technical Data	
<b>Body material</b>	Stainless steel 1.4408
<b>Seal material</b>	PTFE
<b>Medium</b>	Gaseous and liquid media, which do not attack the housing and sealing materials
<b>Medium temperature</b>	-10 to +130°C, depending on medium pressure – see Pressure/ Temperature chart
<b>Ambient temperature</b>	-10 to +55°C
<b>Port connection</b>	- Threaded port G 1/4" to G2 1/2" Thread acc. to DIN EN 10226-1 (previously DIN 2999) - Weld end (on request)
<b>Operating pressure</b>	0-63 bar/0-100 bar
<b>Connection between actuator and ball valve</b>	Flange acc. to ISO 5211
<b>Operating voltage</b>	15-30 V AC 50/60 Hz/12-48 V DC 100-240 V AC 50/60 Hz/100-350 V DC
<b>Voltage tolerance</b>	+/-10%; for 12 to 48V DC the operating voltage should not go below 11.5 V
<b>Duty rating</b>	acc. to IEC34 S4 = 50%
<b>Electrical connection</b>	Cable plug acc. to EN175301-803 (supply voltage) Cable glands ISO M20
<b>Protection class</b>	IP66 with cable plug installed
<b>Rotation angle</b>	90° (+/-5°)
<b>Rotation time</b>	see ordering chart
<b>Limit switches</b>	4 adjustable (2 for motor and 2 additional for feedback) max. 230 V / 5A
<b>Elec. actuator material</b>	Cover/Body Axis/Screws Gearbox Nylon/PA 6.6 Stainless steel Stainless steel and PC
<b>Installation</b>	Don't mount the actuator upside down

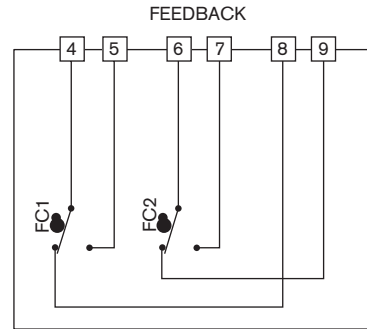
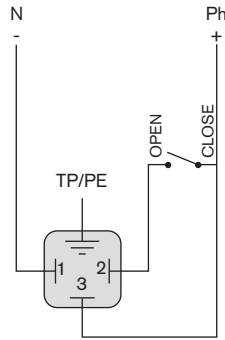
**Electrical connections**

**On/Off Version**

3 points Mode

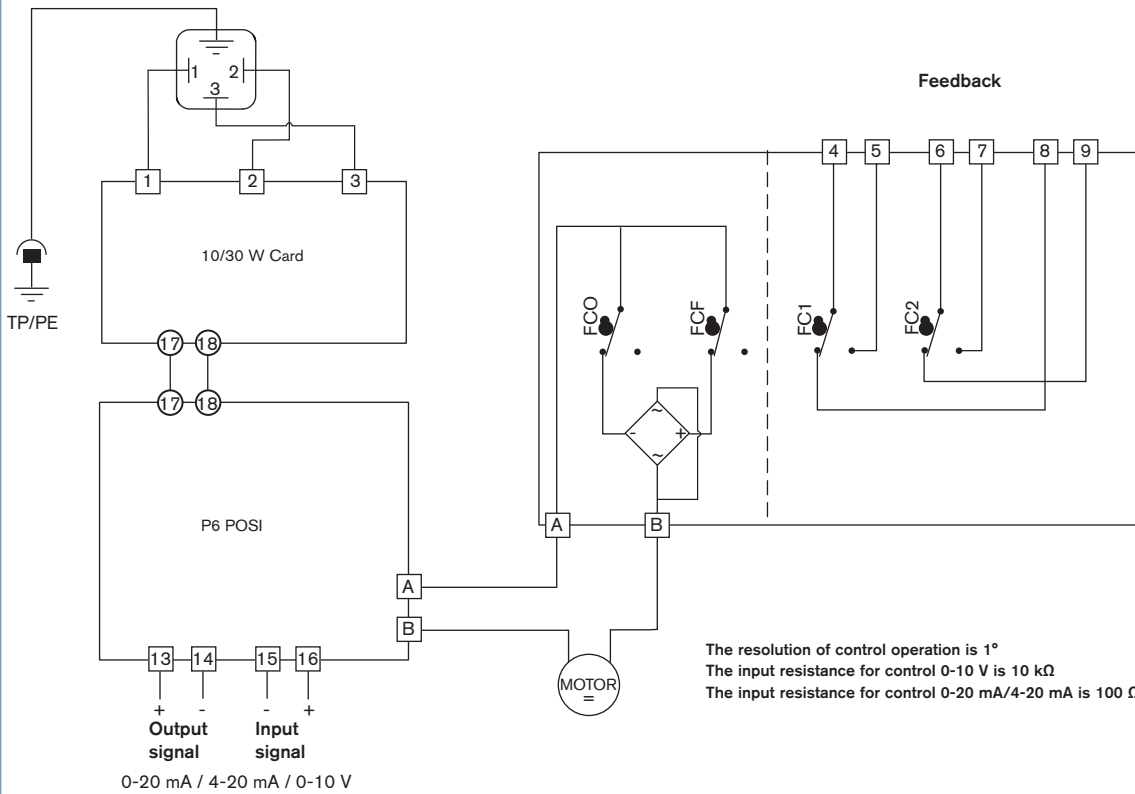
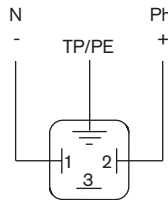


On/Off Mode



Symbol	Designation
FCO	Open limit switch
FCF	Close limit switch
FC1	Auxiliary 1 limit switch
FC2	Auxiliary 2 limit switch

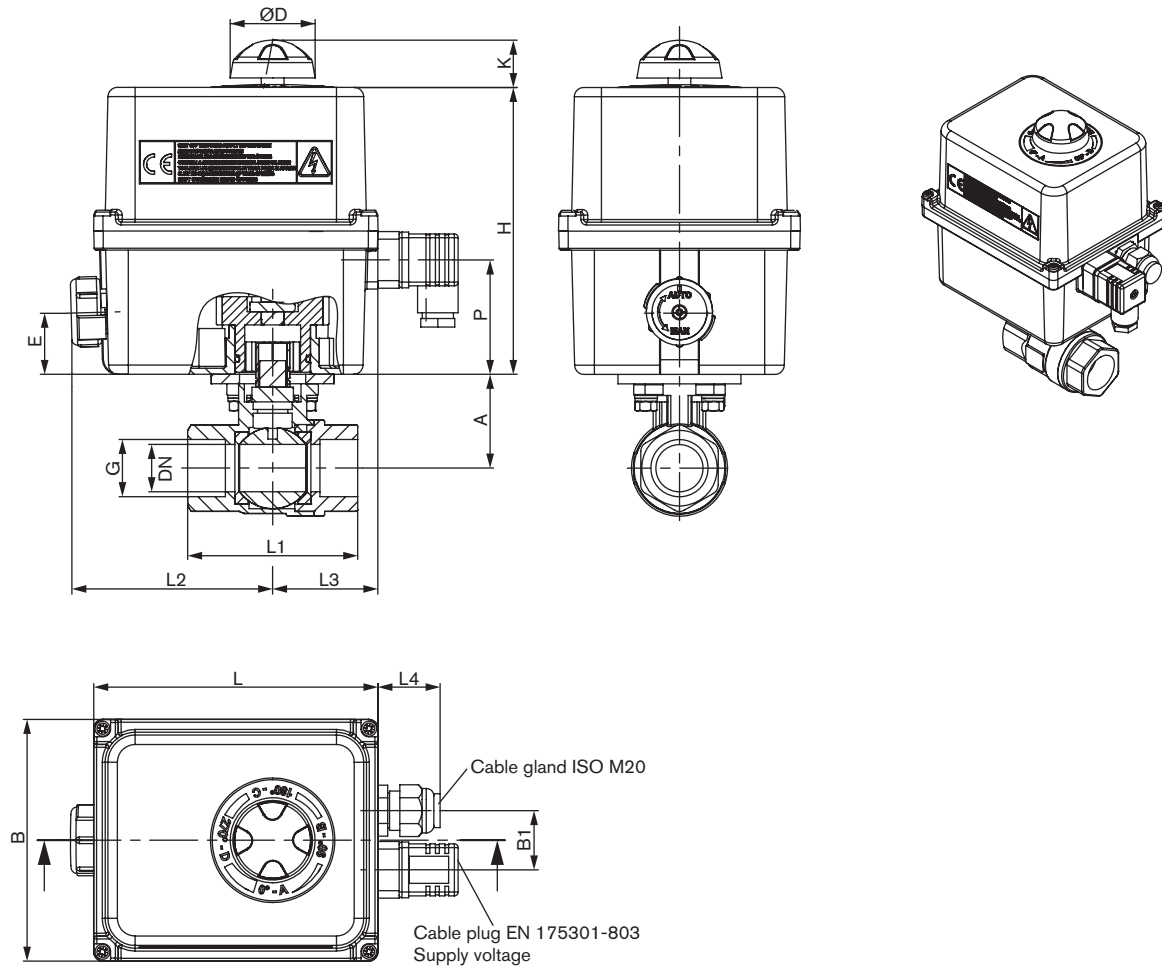
**Version with analog signal input**



The resolution of control operation is 1°  
The input resistance for control 0-10 V is 10 kΩ  
The input resistance for control 0-20 mA/4-20 mA is 100 Ω

**Dimensions [mm]**

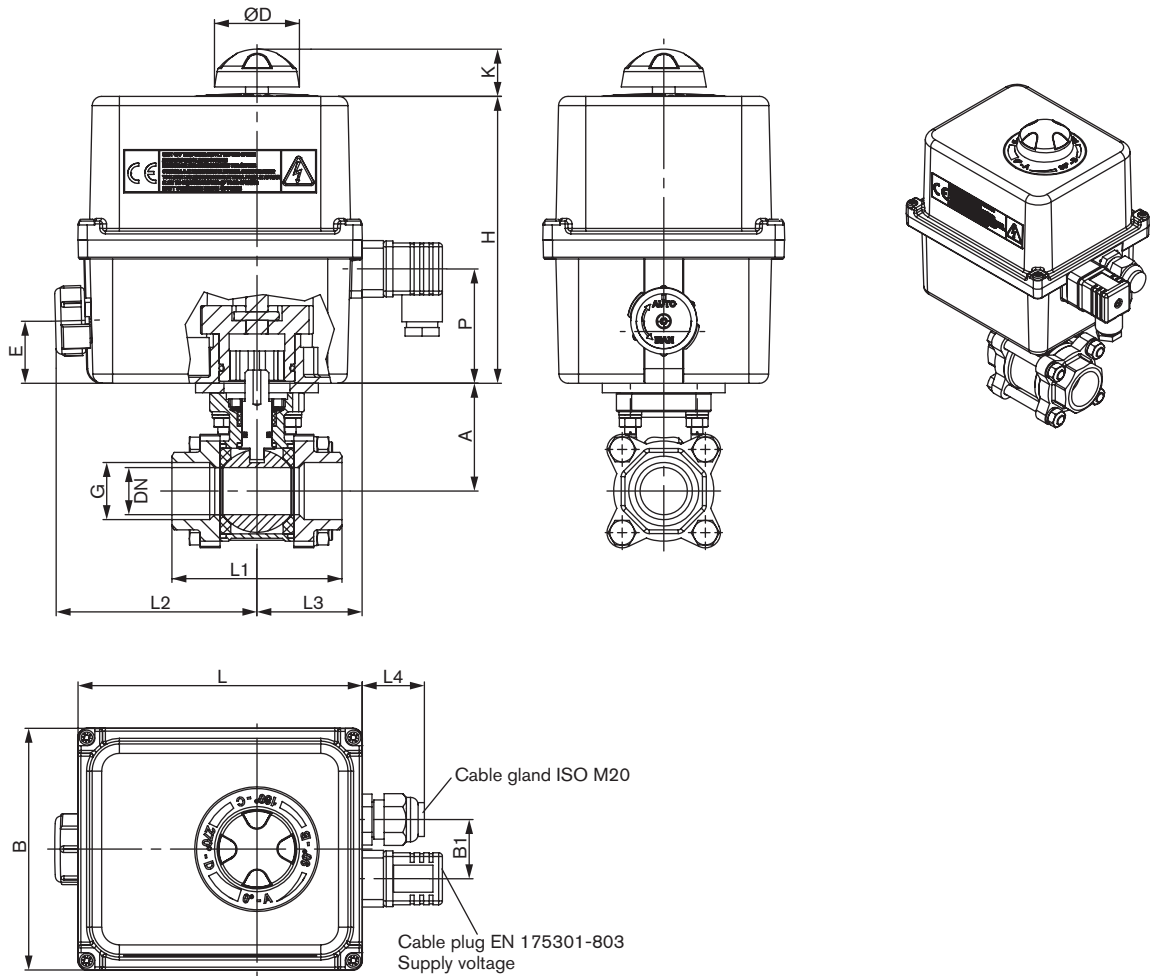
**Ball Valve, 2-piece**



Actuator	DN	Port connection [Inch]	A	B	B1	ØD	E	H	K	L	L1	L2	L3	L4	P
20Nm	10,0	1/4"	33,2	91,7	30,0	37,1	23,5	123,7	24,5	136,5	50,0	103,6	45,4	29,7	47,0
	13,0	3/8"	33,2								60,0				
	15,0	1/2"	35								75,0				
	20,0	3/4"	41								80,0				
35-100Nm	10,0	1/4"	44,2	127,7	31,3	37,1	32,5	150,8	25,5	150,3	50,0	106,3	55,7	29,7	60,5
	13,0	3/8"	44,2								60,0				
	15,0	1/2"	46,0								75,0				
	20,0	3/4"	41,0								80,0				
	25,0	1"	44,5								90,0				
	32,0	1 1/4"	49,5								110,0				
	40,0	1 1/2"	55,0								120,0				
	50,0	2"	66,5								140,0				
65,0	2 1/2"	101,0	185,0												

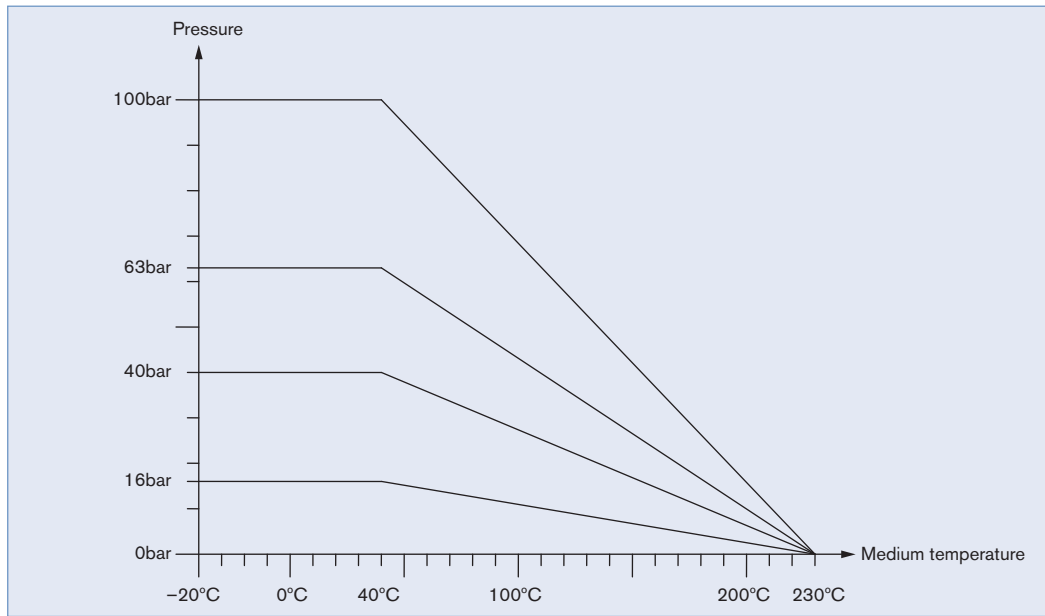
**Dimensions [mm]**

**Ball Valve, 3-piece**



Actuator	DN	Port connection [Inch]	A	B	B1	ØD	E	H	K	L	L1	L2	L3	L4	P
20Nm	10	1/4"	40	91.7	30.0	37.1	23.5	123.7	24.5	136.5	65	103.6	45.4	29.7	47.0
	12	3/8"									75				
	15	1/2"	80												
	20	3/4"	80												
35-100Nm	10	1/4"	40	127.7	31.3	37.1	32.5	150.8	25.5	150.3	65	106.3	55.7	29.7	60.5
	12	3/8"									75				
	15	1/2"									80				
	20	3/4"	80												
	25	1"	90												
	32	1 1/4"	110												
	40	1 1/2"	120												
	50	2"	140												
65	2 1/2"	185													

### Pressure Temperature Chart



**Ordering chart** (further versions on request)

**2/2-way ball valve with threaded port connection**

Orifice (mm)	Port connection (inches)	Kv-value water (m <sup>3</sup> /h)	Pressure range (bar) 2-piece	Pressure range (bar) 3-pieces	Rotation time for 90° (s)	Actuator (Nm)	Voltage	Item no. 2-piece	Item no. 3-piece
10,0	G 1/4	7	0-100	0-63	012	020	100-240 V AC 50/60 Hz 100-350 V DC	226 466	226483
12,7	G 3/8	9	0-100	0-63	012	020		226 468	226484
15,0	G 1/2	19	0-100	0-63	012	020		226 469	226485
20,0	G 3/4	46	0-100	0-63	007	035		226 470	226486
25,0	G 1	72	0-100	0-63	007	035		226 471	226487
32,0	G 1 1/4	105	0-100	0-63	012	060		226 472	226488
40,0	G 1 1/2	170	0-100	0-63	023	100		226 473	226489
50,0	G 2	275	0-100	0-63	023	100		226 474	226490
65,0	G 2 1/2	507	-	0-63	023	100		-	226491
10,0	G 1/4	7	0-100	0-63	012	020	15-30 V AC 50/60 Hz 12-48 V DC	226 475	226496
12,7	G 3/8	9	0-100	0-63	012	020		226 476	226497
15,0	G 1/2	19	0-100	0-63	012	020		226 477	226498
20,0	G 3/4	46	0-100	0-63	007	035		226 478	226499
25,0	G 1	72	0-100	0-63	007	035		226 479	226500
32,0	G 1 1/4	105	0-100	0-63	012	060		226 480	225945
40,0	G 1 1/2	170	0-100	0-63	023	100		226 481	226501
50,0	G 2	275	0-100	0-63	023	100		226 482	226502
65,0	G 2 1/2	507	-	0-63	023	100		-	226503

\*for 12 to 48V DC the operating voltage should not go below 11.5 V

**i Further versions on request**



**Port connection**

3 piece ball valves also versions with NPT thread



**Additional**

Positioner card with normal signal input 4-20 mA or 0-10 V  
Feedback via Potentiometer or 4-20 mA analog signal  
Slow rotation version  
3-position actuator (90° or 180°)  
3/2-way  
Fail safe

**Accessories**

Description	Item no.
Key for adjustment of limit switches	665 296

**Note**

You can fill out the fields directly in the PDF file before printing out the form.

**Ball valve and butterfly valve - Request for quotation**

▶ Please fill out and send to your nearest Bürkert facility\* with your inquiry or order

Company	Contact person
Customer No	Department
Address	Tel./Fax
Postcode/Town	E-mail

Quantity  Required delivery date

**Operating data**

Pipeline DN  PN

Pipe material

Process medium

Type of media  Liquid  Steam  Gas

	Min	Standard	Max	Unit
Flow rate (Q, Q <sub>N</sub> , W) <sup>1)</sup>	<input type="text"/>	<input type="text"/>	<input type="text"/>	<input type="text"/>
Media temperature	<input type="text"/>	<input type="text"/>	<input type="text"/>	<input type="text"/>
Operating pressure	<input type="text"/>	<input type="text"/>	<input type="text"/>	<input type="text"/>

<sup>1)</sup> Standard unit  
Liquid Q = m<sup>3</sup>/h; Steam W = Kg/h; Gas Q<sub>N</sub> = Nm<sup>3</sup>/h

**Valve features**

Type  2/2-way ball valve  3/2-way ball valve L-Boring  3/2-way ball valve T-Boring  Butterfly valve

Body material  Stainless steel<sup>4)</sup>  PVC-C  PVC-U  PP  PVDF  other

Seal material  PTFE/EPDM<sup>2)</sup>  PTFE/FKM<sup>2)</sup>  EPDM<sup>3)</sup>  FKM<sup>3)</sup>  other

Nominal pressure PN

Orifice DN

Type of connection  Flange  True union  Welded  Int. thread  Ext. thread  Clamp

Standard connection  ISO  DIN  ANSI  JIS  other

Pilot pressure  min.  max.

<sup>2)</sup> for plastic ball valve <sup>3)</sup> for butterfly valves <sup>4)</sup> Stainless steel ball valve with PTFE seal material only

**Mode of actuation**

Manual

Pneumatic

Control function A: NC by spring action

Double-acting

Electric actuator

Function  On/Off function  Control actuator with analog signal input

Power supply  230 V AC  24 V AC  24 V DC  other

To find your nearest Bürkert facility, click on the orange box → [www.burkert.com](http://www.burkert.com)

In case of special application conditions, please consult for advice

Subject to alterations  
© Christian Bürkert GmbH & Co. KG

1011/11\_EU-en\_00891968